

UNIT SIZE	MAX L/S	MAX CFM	S.I. UNITS mm				IMPERIAL UNITS inches				
			INLET/OUTLET		VALVE	LENGTH	INLET/OUTLET		VALVE	LENGTH	
			B	C	A	L	B	C	A	L	
4	106	225	305	203	152	394	12	8	6	15½	
5	165	350									
6	212	450									
7	307	650	178	203	394		12	10	7		8
8	378	800									
9	496	1050									
10	637	1350	356	318	229	14	12½	9	10		
12	991	2100									
14	1225	2600									
16	1649	3500	610	457	406	483	20	17½	14	19	
16	1649	3500									

**NOTES:**

- INTERNAL INSULATION – RIGID FIBERGLASS 5/8" (16mm) THICK, MIN. 4# DENSITY WITH FOIL FACE WHICH MEETS REQUIREMENTS OF NFPA 90A, UL181, AND ASTM C-665. INSULATION EDGES COVERED WITH METAL ANGLES.
- 22GA. ZINC COATED STEEL HOUSING. MECHANICALLY SEALED AND GASKETED, LEAK RESISTANT CONSTRUCTION.
- RECTANGULAR INLET & DISCHARGE OPENING WITH SLIP AND DRIVE CLEAT DUCT CONNECTION.
- DIGITAL CONTROLS BY CONTROL CONTRACTOR.
- MULTI-POINT AIRFLOW SENSOR SUPPLIED BY PRICE.

**OPTIONS:**

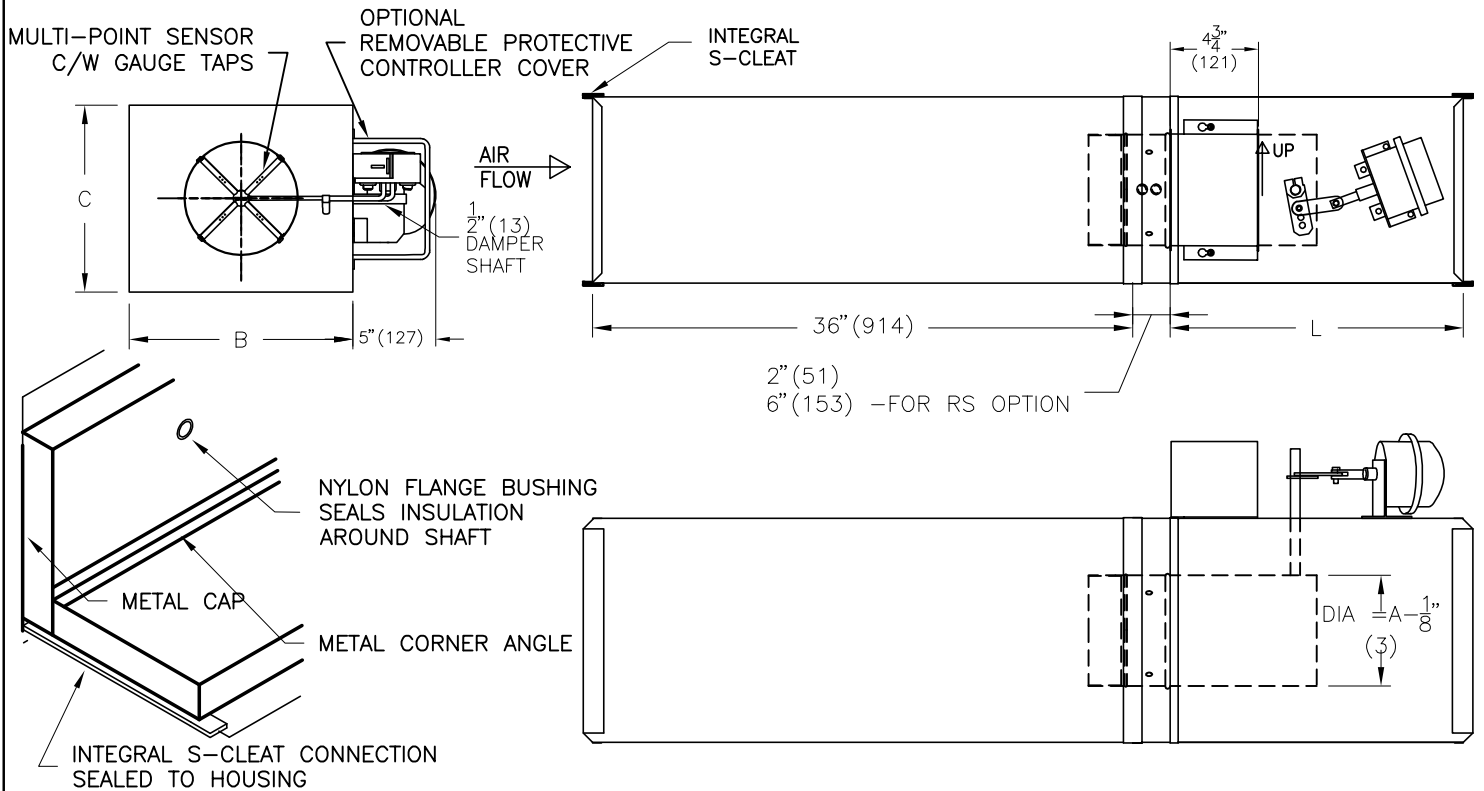
- CONTROLS ENCLOSURE
- DISCONNECT SWITCH
- GT – BRASS AIRFLOW SENSOR GAUGE TAPS
- RS – BOTTOM REMOVABLE SENSOR

**LINERS:**

- FF     PM     PM1     AFPM     AFPM1
- FF1     WFPM     SM     SM1     CRWF
- FF50     FB     FB1     CRAF     CRAF1
- FG75

ALL METRIC DIMENSIONS ( ) ARE SOFT CONVERTED. IMPERIAL DIMENSIONS ARE CONVERTED TO METRIC AND ROUNDED TO THE NEAREST MILLIMETER.

<b>PROJECT:</b>		<b>PRICE®</b>	
<b>ENGINEER:</b>		GF	<b>SDE5000</b> SINGLE DUCT TERMINAL VARIABLE VOLUME DIGITAL CONTROL QUIET EXHAUST
<b>CUSTOMER:</b>			
<b>SUBMITTAL DATE:</b>	<b>SPEC. SYMBOL:</b>	2007/03/15	



UNIT SIZE	MAX L/S	MAX CFM	S.I. UNITS mm				IMPERIAL UNITS inches				
			INLET/OUTLET		VALVE	LENGTH	INLET/OUTLET		VALVE	LENGTH	
			B	C	A	L	B	C	A	L	
4	106	225	305	203	152	394	12	8	6	15½	
5	165	350			178				7		
6	212	450			203				8		
7	307	650	229	14	12½		9				
8	378	800	254				10				
9	496	1050	305				12				
10	637	1350	406	381	305	16	15	12	19		
12	991	2100	508	445	356			20		17½	14
14	1225	2600	610	457	406			24		18	16
16	1649	3500				483					

**NOTES:**

- INTERNAL INSULATION - RIGID FIBERGLASS 5/8" (16mm) THICK, MIN. 4# DENSITY WITH FOIL FACE WHICH MEETS REQUIREMENTS OF NFPA 90A, UL181, AND ASTM C-665. INSULATION EDGES COVERED WITH METAL ANGLES.
- 22GA. ZINC COATED STEEL HOUSING. MECHANICALLY SEALED AND GASKETED, LEAK RESISTANT CONSTRUCTION.
- RECTANGULAR INLET & DISCHARGE OPENING WITH SLIP AND DRIVE CLEAT DUCT CONNECTION.
- PRESSURE INDEPENDENT.
- GAUGE TAPS ARE STANDARD.
- PNEUMATIC ACTUATOR SUPPLIED & MOUNTED BY PRICE.
- CLEAN, DRY, 20 PSI (138 KPa) CONTROL AIR REQUIRED.

**OPTIONS:**

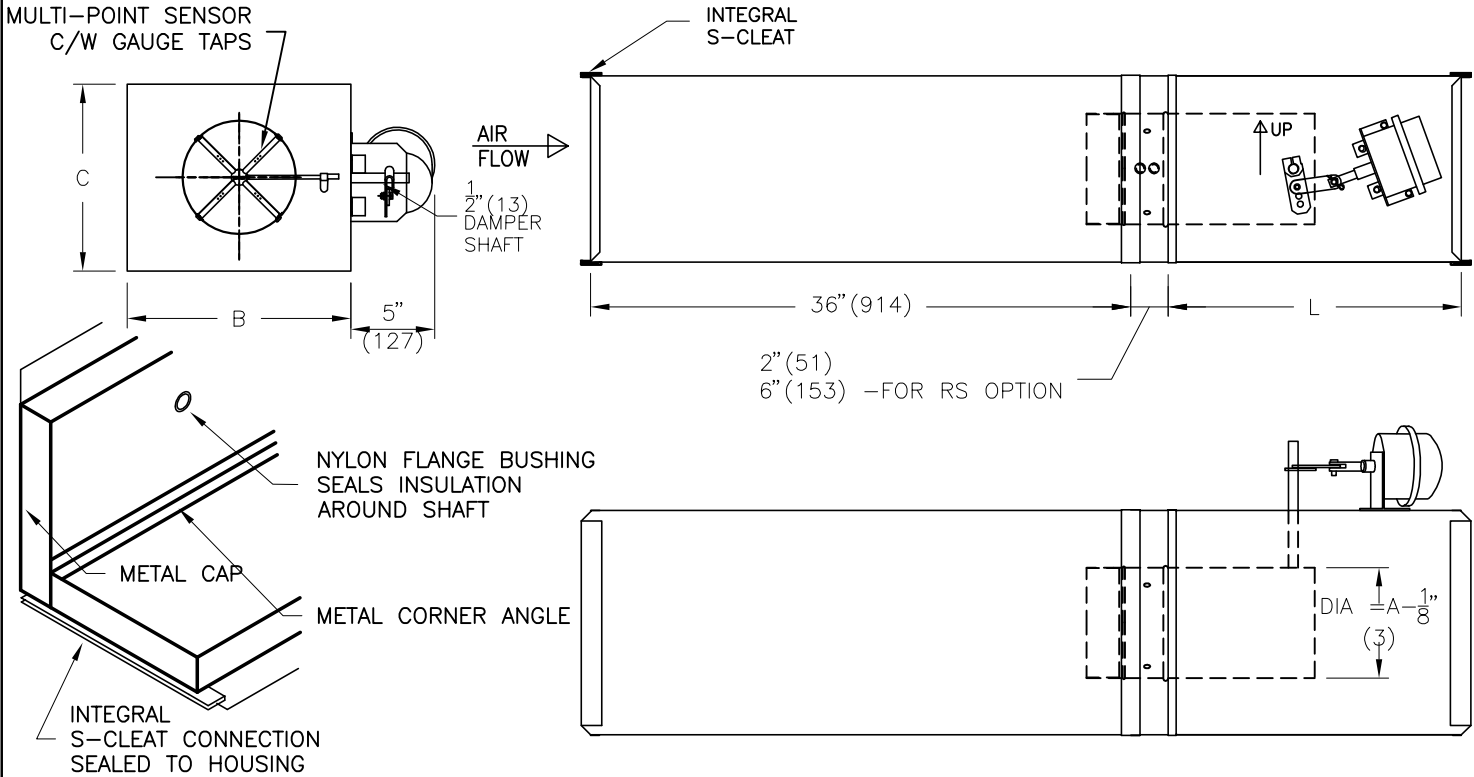
- OTHER PNEUMATIC ACTUATORS SUPPLIED & MOUNTED BY PRICE.
- PNEUMATIC ACTUATOR SUPPLIED BY CONTROL CONTRACTOR & MOUNTED BY PRICE.
- PROTECTIVE CONTROLLER COVER.
- RS - BOTTOM REMOVABLE SENSOR

**LINERS:**

- FF     PM     PM1     AFPM     AFPM1
- FF1     WFPM     SM     SM1     CRWF
- FF50     FB     FB1     CRAF     CRAF1
- FG75

ALL METRIC DIMENSIONS ( ) ARE SOFT CONVERTED. IMPERIAL DIMENSIONS ARE CONVERTED TO METRIC AND ROUNDED TO THE NEAREST MILLIMETER.

<b>PROJECT:</b>		<b>PRICE®</b>	
<b>ENGINEER:</b>			
<b>CUSTOMER:</b>		GF	<b>SPE8000</b> SINGLE DUCT TERMINAL VARIABLE VOLUME PNEUMATIC CONTROL QUIET EXHAUST
<b>SUBMITTAL DATE:</b>		240252	
<b>SPEC. SYMBOL:</b>		2007/03/15	



UNIT SIZE	MAX L/S	MAX CFM	S.I. UNITS mm				IMPERIAL UNITS inches			
			INLET/OUTLET		VALVE	LENGTH	INLET/OUTLET		VALVE	LENGTH
			B	C	A	L	B	C	A	L
4	106	225	305	203	152	394	12	8	6	15½
5	165	350								
6	212	450								
7	307	650	305	254	178		12	10	7	
8	378	800								
9	496	1050	356	318	229		14	12½	9	
10	637	1350				254				
12	991	2100	406	381	305	16	15	12		
14	1225	2600	508	445	356	483	20	17½	14	19
16	1649	3500	610	457	406					

**NOTES:**

- INTERNAL INSULATION – RIGID FIBERGLASS 5/8" (16mm) THICK, MIN. 4# DENSITY WITH FOIL FACE WHICH MEETS REQUIREMENTS OF NFPA 90A, UL181, AND ASTM C-665. INSULATION EDGES COVERED WITH METAL ANGLES.
- 22GA. ZINC COATED STEEL HOUSING. MECHANICALLY SEALED AND GASKETED, LEAK RESISTANT CONSTRUCTION.
- INLET & RECTANGULAR DISCHARGE OPENING WITH SLIP AND DRIVE CLEAT DUCT CONNECTION.
- ACTUATOR WILL BE SUPPLIED AS ILLUSTRATED ON RIGHT HAND SIDE UNLESS SPECIFIED OTHERWISE.
- GAUGE TAPS ARE STANDARD.
- PNEUMATIC ACTUATOR SUPPLIED & MOUNTED BY PRICE.
- PRESSURE DEPENDENT.

- CLEAN, DRY, 20 PSI (138 kPa) CONTROL AIR REQUIRED.
- MINIMUM AIR VOLUME IS ZERO (SHUT-OFF).
- SPECIFY THE ACTUATOR SPRING RANGE TO ACCOMMODATE THE THERMOSTAT CONTROL RANGE AND TO SEQUENCE WITH ANY CONTROL COMPONENTS AS SUPPLIED BY OTHERS.

**OPTIONS:**

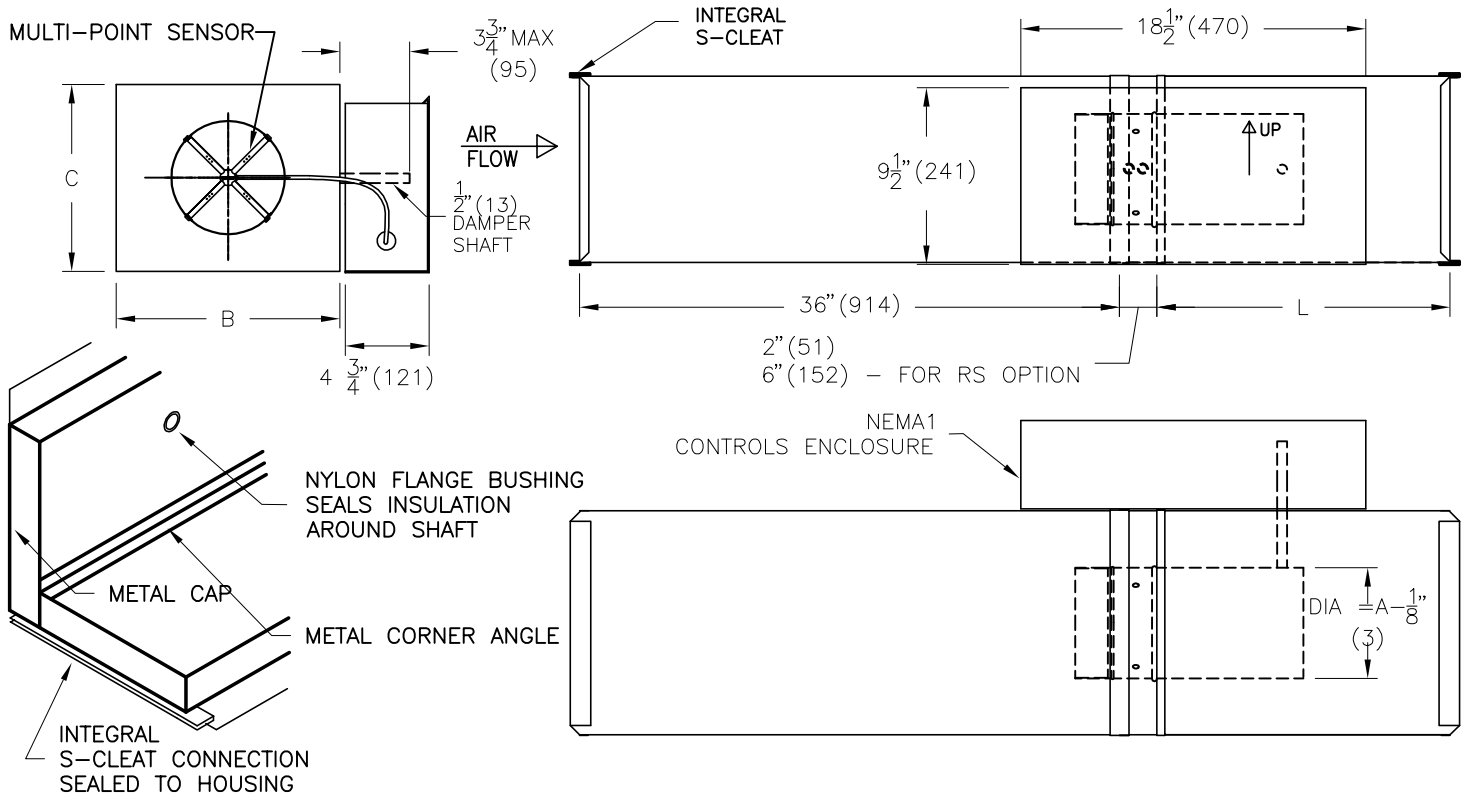
- OTHER PNEUMATIC ACTUATORS SUPPLIED & MOUNTED BY PRICE.
- PNEUMATIC ACTUATOR SUPPLIED BY CONTROL CONTRACTOR & MOUNTED BY PRICE.
- RS – BOTTOM REMOVABLE SENSOR

**LINERS:**

- FF     PM     PM1     AFPM     AFPM1     FG75
- FF1     WFPM     SM     SM1     CRWF
- FF50     FB     FB1     CRAF     CRAF1

ALL METRIC DIMENSIONS ( ) ARE SOFT CONVERTED. IMPERIAL DIMENSIONS ARE CONVERTED TO METRIC AND ROUNDED TO THE NEAREST MILLIMETER.

<b>PROJECT:</b>		<b>PRICE®</b>	
<b>ENGINEER:</b>		GF	<b>SPE6000</b> SINGLE DUCT TERMINAL VARIABLE VOLUME PNEUMATIC CONTROL QUIET EXHAUST
<b>CUSTOMER:</b>		240253	
<b>SUBMITTAL DATE:</b>	<b>SPEC. SYMBOL:</b>	2007/03/15	



UNIT SIZE	MAX L/S	MAX CFM	S.I. UNITS mm				IMPERIAL UNITS inches				
			INLET/OUTLET		VALVE	LENGTH	INLET/OUTLET		VALVE	LENGTH	
			B	C	A	L	B	C	A	L	
4	106	225	305	203	152	394	12	8	6	15 1/2	
5	165	350									
6	212	450									
7	307	650	305	254	178		12	10	7		
8	378	800									203
9	496	1050									
10	637	1350	356	318	254		14	12 1/2	9		
12	991	2100				10					
14	1225	2600								12	
16	1649	3500	406	381	305	16	15	12			
14	1225	2600							508	445	356
16	1649	3500	610	457	406	24	18	16			

**NOTES:**

- INTERNAL INSULATION – RIGID FIBERGLASS 5/8" (16mm) THICK, MIN. 4# DENSITY WITH FOIL FACE WHICH MEETS REQUIREMENTS OF NFPA 90A, UL181, AND ASTM C-665. INSULATION EDGES COVERED WITH METAL ANGLES.
- 22GA. ZINC COATED STEEL HOUSING. MECHANICALLY SEALED AND GASKETED, LEAK RESISTANT CONSTRUCTION.
- RECTANGULAR INLET & DISCHARGE OPENING WITH SLIP AND DRIVE CLEAT DUCT CONNECTION.
- PRICE CONTROLS FACTORY MOUNTED.
- PRICE THERMOSTAT FIELD MOUNTED.

- MULTI-POINT SENSOR c/w GAUGE TAPS SUPPLIED BY PRICE.

**OPTIONS:**

- DISCONNECT SWITCH
- RS – BOTTOM REMOVABLE SENSOR

**LINERS:**

- FF     PM     PM1     AFPM     AFPM1
- FF1     WFPM     SM     SM1     CRWF
- FF50     FB     FB1     CRAF     CRAF1
- FG75

ALL METRIC DIMENSIONS ( ) ARE SOFT CONVERTED. IMPERIAL DIMENSIONS ARE CONVERTED TO METRIC AND ROUNDED TO THE NEAREST MILLIMETER.

<b>PROJECT:</b>		<b>PRICE®</b>	
<b>ENGINEER:</b>		GF	<b>SDE8000</b> SINGLE DUCT TERMINAL VARIABLE VOLUME PRICE CONTROLS QUIET EXHAUST
<b>CUSTOMER:</b>			
<b>SUBMITTAL DATE:</b>	<b>SPEC. SYMBOL:</b>	2007/03/15	